



Vestil Manufacturing Co.

2999 North Wayne Street, P.O. Box 507, Angola, IN 46703

Telephone: (260) 665-7586 -or- Toll Free (800) 348-0868

Fax: (260) 665-1339

www.vestilmfg.com e-mail: info@vestil.com

FCHT Series Hand Truck



Receiving Instructions

After delivery, remove the packaging from the product. Inspect the product closely to determine whether it sustained damage during transport. If damage is discovered, record a complete description of it on the bill of lading. If the product is undamaged, discard the packaging.

NOTE: The end-user is solely responsible for confirming that product design, use, and maintenance comply with laws, regulations, codes, and mandatory standards applied where the product is used.

Technical Service & Replacement Parts

For answers to questions not addressed in these instructions and to order replacement parts, labels, and accessories, call our Technical Service and Parts Department at (260) 665-7586. The department can also be contacted online at <https://www.vestil.com/page-parts-request.php>.




Electronic copies of Instruction Manuals

This instruction manual may be downloaded from <https://www.vestil.com/page-manuals.php>

Table of Contents		Page
Signal Words.....		2
Safety Instructions.....		2
Using the Hand Truck.....		3
Record of Satisfactory Condition.....		4
Inspections & Maintenance.....		4
Exploded View and Bill of Materials.....		5
Labeling Diagram.....		6
Limited Warranty.....		7

SIGNAL WORDS

SIGNAL WORDS in this manual draw the reader's attention to important safety-related messages.

 DANGER	Identifies a hazardous situation which, if not avoided, WILL result in DEATH or SERIOUS INJURY . Use of this signal word is limited to the most extreme situations.
 WARNING	Identifies a hazardous situation which, if not avoided, COULD result in DEATH or SERIOUS INJURY .
 CAUTION	Indicates a hazardous situation which, if not avoided, COULD result in MINOR or MODERATE injury.
NOTICE	Identifies practices likely to result in product/property damage, such as operation that might damage the product.

SAFETY INSTRUCTIONS

Vestil strives to identify all foreseeable hazards associated with the use of its products. However, material handling is dangerous and no manual can address every conceivable risk. The most effective means for preventing injury is the application of good judgment and common sense by the end-user.

WARNING

Serious personal injuries might result from improper or careless use of this product.

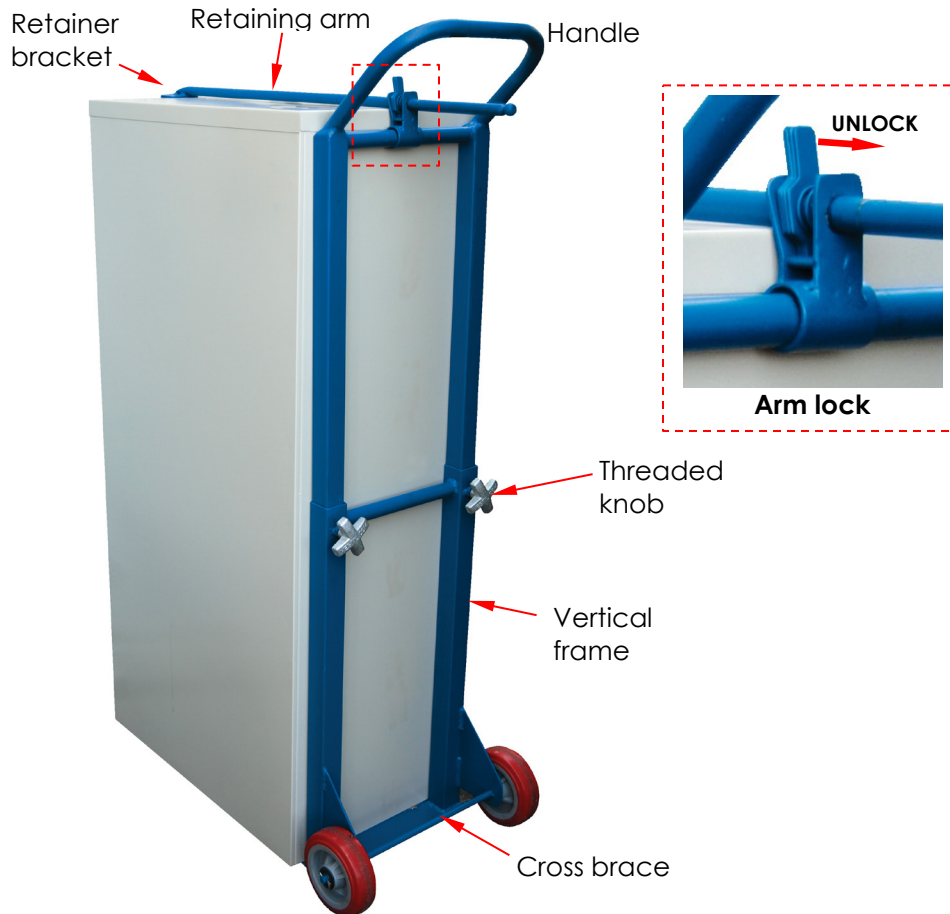
- Failure to read & understand the entire manual before using or servicing the product *is a misuse* of the product. Read the manual to refresh your understanding of proper use and maintenance procedures.
- Read the manual to refresh your understanding of proper use and maintenance procedures.
- DO NOT attempt to resolve problems with the product unless you are qualified to work on hand trucks.
- DO NOT modify the product in any way UNLESS you first obtain written approval from Vestil. Unapproved modifications automatically void the *LIMITED WARRANTY* and might make the lift unsafe to use.
- DO NOT exceed the capacity of the hand truck. The capacity is provided on label 1153. [See LABELING DIAGRAM](#) on p. 6.
- Inspect the product as instructed in [INSPECTIONS & MAINTENANCE](#). Do not use the hand truck unless it is in satisfactory condition.
- DO NOT transport loads up or down slopes unless you can easily control the loaded truck. Always stay uphill to the truck whenever traveling up or down slopes.
- The retaining arm stabilizes loads applied to the truck. It does not prevent the load from falling forward, i.e. rotating away from the vertical frame.
- DO NOT use this device UNLESS all labels are in place, undamaged, and easily readable.

NOTICE

Proper use, maintenance, and storage are essential for this product to function properly.

- Always use this product in accordance with the instructions in this manual and consistent with any training relevant to machines, devices, etc. used in conjunction with this product.
- Keep the product clean & dry. Periodically lubricate pivot points.

USING THE HAND TRUCK



- Adjust the height of the vertical frame so that the handle is located at a comfortable, ergonomic height. Loosen the threaded knobs, adjust the handle height, and then retighten the knobs.
- Pivot the retaining arm upwards. Rest the arm against the handle.
- Apply a load to the load plate. Make sure that the load rests against the vertical frame of the truck.
- Pivot the retaining arm towards the load and rest the arm on top of the load. Adjust arm length as necessary for the retainer bracket to extend beyond the front edge of the load. To unlock the arm and allow it to extend or retract, pull the arm lock in the UNLOCK direction.
- Retract the arm to bring the retainer bracket into solid contact with the front edge of the load.
- Press against the cross brace with a foot and pull the handle towards you to tilt the truck and lift the load off of the floor.
- Carefully push the truck and load. Do not traverse sloped ground unless you can easily control the truck. Remain uphill to the truck (and load) whenever traveling up or down sloped surfaces.
- To unload the truck, pull the arm lock in the UNLOCK direction and extend the retaining arm. Pivot the retaining arm upwards to disengage the retaining bracket from the edge of the load. Slide the load plate out from underneath the load.

RECORD OF SATISFACTORY CONDITION

Before putting the hand truck in service, make a written record that documents its condition and operation. Describe the operation of the retaining arm and the arm lock. If you try to pull out (extend) the retaining arm, does the arm lock hold the arm in place? Photograph the hand truck from multiple angles. Include close-range photos of each label, each wheel, the retaining arm, the arm lock, the arm receiver, and the threaded knobs. Collect all writings and photos in a file. This file is a record of the hand truck in satisfactory condition. Compare the results of all inspections to this record to determine whether the unit is in satisfactory condition. Do not use the hand truck unless it is in satisfactory condition. Cosmetic damage, i.e. damaged paint/powdercoat, should be repaired as soon as damage occurs by applying touchup paint to all affected areas.

INSPECTIONS & MAINTENANCE

Inspections and repairs should only be performed by qualified persons. Compare the results of each inspection to the [RECORD OF SATISFACTORY CONDITION](#) (the "RECORD"). Do not use the hand truck unless all parts are in satisfactory condition. Replace parts that are not in satisfactory condition before returning the truck to service. **DON'T GUESS! If you have any questions about the condition of your hand truck, speak with [TECHNICAL SERVICE](#) personnel.** The phone number is provided on the cover page of this manual. **Never make temporary repairs of damaged or missing parts.** Only use manufacturer-approved replacement parts. DO NOT continue to use the hand truck if damage cannot be repaired.

Before each use inspect the hand truck for any sustained damage such as impact/collision damage, unusual wear, deterioration, or corrosion. Look for loose connections. Tighten all loose connections.

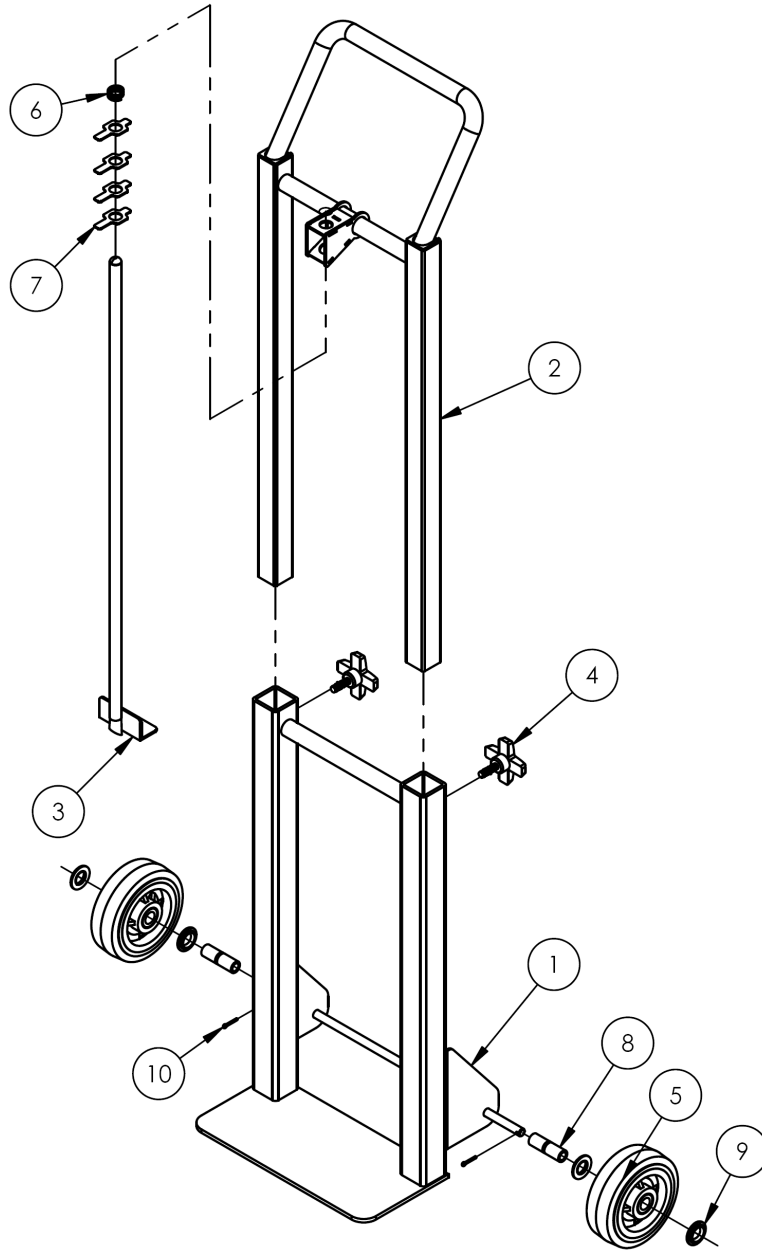
Regular inspections —at least once per month inspect the following items.

- **Axle, sleeve bearings, bearing posts, vertical frame, and wheels:** Make sure that the vertical frame weldment is undamaged, e.g. not bent, cracked, or warped. Check the wheels. They must not be cracked or significantly worn. Wheels should be vertical (not angled towards or away from the ladder) and should roll smoothly. Make sure that the axle and the axle receiver are undamaged. The wheel retaining cotter pins must be securely fastened to the axle.
- **All frame members and all fasteners (bolts, nuts, pins):** Inspect the upper and lower vertical frame members weekly for damage like excessive wear, warps, cracks, and other types of damage. All frame pieces should be square, rigid, and free of rust and corrosion. Remove rust with steel wool or a metal bristle brush and apply touch-up paint to the affected area. Check the areas around the 2 bolt holes in the lower vertical frame that receive the threaded knobs for warps, cracks, etc. Replace all parts that are damaged before using the ladder again.
- **Retaining arm and arm lock:** Check all parts for cracks, bends, rust or corrosion, or significant wear. Confirm satisfactory operation of the arm lock. Even a moderate amount of wear can affect the ability of a lock to solidly clamp the retaining arm.
- **Labels:** All labels must be in place, undamaged, and in easily readable condition.

Maintenance: in addition to correcting issues discovered during inspections, maintain the ladder as described below.

- Clean the truck to remove dirt and grime, especially from the handle and load plate.
- Lubricate bearings as necessary to allow the wheels to rotate freely.
- Apply touchup paint wherever the finish is chipped.

EXPLODED VIEW and BILL OF MATERIALS (33-006-200)



Item	Part no.	Description	Qty.
1	33-514-160	WELDMENT, FRAME, BASE (LOWER VERTICAL FRAME)	1
2	33-514-161	WELDMENT, FRAME, UPPER (UPPER VERTICAL FRAME)	1
3	33-514-163	WELDMENT, FRAME, ARM	1
4	08-025-007	KNOB, Ø3/8-16 UNC THD X 1 1/4 LG	2
5	16-132-058	WHEEL, POLY ON POLY	2
6	33-146-003	SPRINGS, LEVER	1
7	33-016-070	BRACKET, ROD TENSION BRACKET	4
8	16-111-003	SLEEVE BEARING FOR 2" WHEEL	2
9	16-132-001-001	PLASTIC SIDE SHIELD, PH-3/1.5-RB	4
10	65076	Ø1/8" X 1" COTTER PIN, Z-PLATED	2

LABELING DIAGRAM

Each unit should be labeled as shown in the diagram. However, label content and location are subject to change so your product might not be labeled exactly as shown. Compare this diagram to your [Record of Satisfactory Condition](#). If there are differences between actual labeling and this diagram, adapt the diagram to reflect actual labeling. Replace all labels that are damaged, missing, or not easily readable (e.g. faded). To order replacement labels or to inquire whether your unit is properly labeled, contact the [technical service and parts department](#) online at http://www.vestilmfg.com/parts_info.htm or by calling (260) 665-7586 and asking for the [Parts Department](#).

FCHT



⚠ WARNING	⚠ ADVERTENCIA	⚠ AVERTISSEMENT
Do not operate or move with unstable loads Do not load beyond rated capacity Distribute load evenly Do not sit or ride	No opere ni se mueva con cargas inestables No cargue más allá de la capacidad nominal Distribuya la carga de manera uniforme No te sientes ni conduzcas	Ne pas utiliser ou déplacer avec des charges instables Ne pas charger au-delà de la capacité nominale Répartir la charge uniformément Ne vous asseyez pas et ne montez pas

658

MODEL / MODÉLO / MODÈLE _____
 WEIGHT / PESO / MASS _____
 CAPACITY / CAPACIDAD / CAPACITÉ _____
 SERIAL / SERIE / SÉRIE _____

UNITS: 2.2 lb. = 1kg 1" (or 1in.) = 2.54cm 1153

1153 Covered with 770 overlay

FILE CABINET HAND TRUCK

5-31-2022



LIMITED WARRANTY

Vestil Manufacturing Company ("Vestil") warrants this product to be free of defects in material and workmanship during the warranty period. Our warranty obligation is to provide a replacement for a defective, original part covered by the warranty after we receive a proper request from the Warrantee (you) for warranty service.

Who may request service?

Only a warrantee may request service. You are a warrantee if you purchased the product from Vestil or from an authorized distributor AND Vestil has been fully paid.

Definition of "original part"?

An original part is a part used to make the product as shipped to the Warrantee.

What is a "proper request"?

A request for warranty service is proper if Vestil receives: 1) a photocopy of the Customer Invoice that displays the shipping date; AND 2) a written request for warranty service including your name and phone number. Send requests by one of the following methods:

<u>US Mail</u>	<u>Fax</u>	<u>Email</u>
Vestil Manufacturing Company	(260) 665-1339	info@vestil.com
2999 North Wayne Street, PO Box 507	<u>Phone</u>	Enter "Warranty service request"
Angola, IN 46703	(260) 665-7586	in the subject field.

In the written request, list the parts believed to be defective and include the address where replacements should be delivered. After Vestil receives your request for warranty service, an authorized representative will contact you to determine whether your claim is covered by the warranty. Before providing warranty service, Vestil will require you to send the entire product, or just the defective part (or parts), to its facility in Angola, IN.

What is covered under the warranty?

The warranty covers defects in the following original, dynamic parts: motors, hydraulic pumps, motor controllers, and cylinders. It also covers defects in original parts that wear under normal usage conditions ("wearing parts"), such as bearings, hoses, wheels, seals, brushes, and batteries.

How long is the warranty period?

The warranty period for original dynamic components is 90 days. For wearing parts, the warranty period is 90 days. Both warranty periods begin on the date Vestil ships the product to the Warrantee. If the product was purchased from an authorized distributor, the periods begin when the distributor ships the product. Vestil may, at its sole discretion, extend a warranty period for products shipped from authorized distributors by up to 30 days to account for shipping time.

If a defective part is covered by the warranty, what will Vestil do to correct the problem?

Vestil will provide an appropriate replacement for any covered part. An authorized representative of Vestil will contact you to discuss your claim.

What is not covered by the warranty?

The Warrantee (you) is responsible for paying labor costs and freight costs to return the product to Vestil for warranty service.

Events that automatically void this Limited Warranty.

- Misuse;
- Negligent assembly, installation, operation or repair;
- Installation/use in corrosive environments;
- Inadequate or improper maintenance;
- Damage sustained during shipping;
- Collisions or other accidents that damage the product;
- Unauthorized modifications: Do not modify the product IN ANY WAY without first receiving written authorization from Vestil.

Do any other warranties apply to the product?

Vestil Manufacturing Co. makes no other express warranties. All implied warranties are disclaimed to the extent allowed by law. Any implied warranty not disclaimed is limited in scope to the terms of this Limited Warranty. Vestil makes no warranty or representation that this product complies with any state or local design, performance, or safety code or standard. Noncompliance with any such code or standard is not a defect in material or workmanship.